

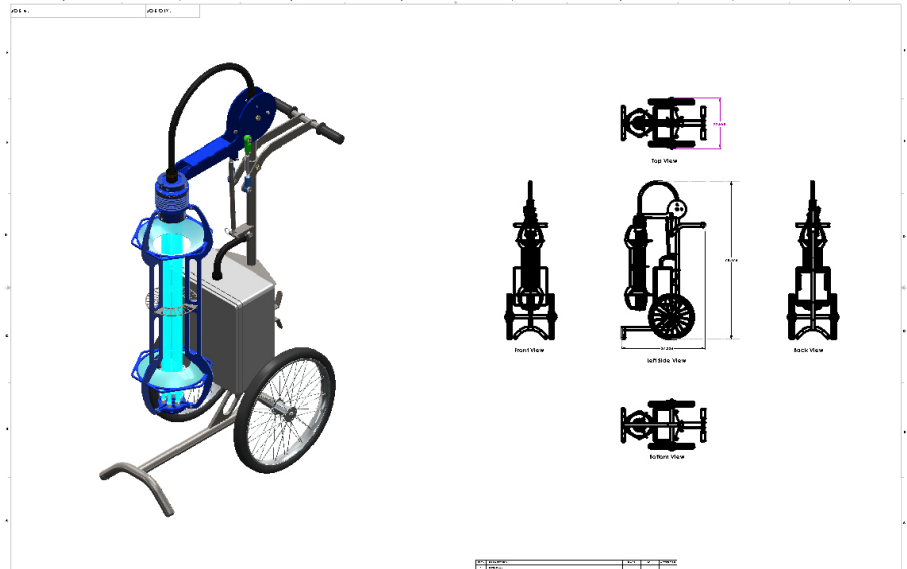
BLUEMORPH HEALTH SOLUTIONS C1 UVC SYSTEM- General Specifications

Emitter¹:

- UVC power: 162W
- No. of bulbs: 6
- Dimensions: 42"x 12"(L x D)
- Weight: 14.6 pounds

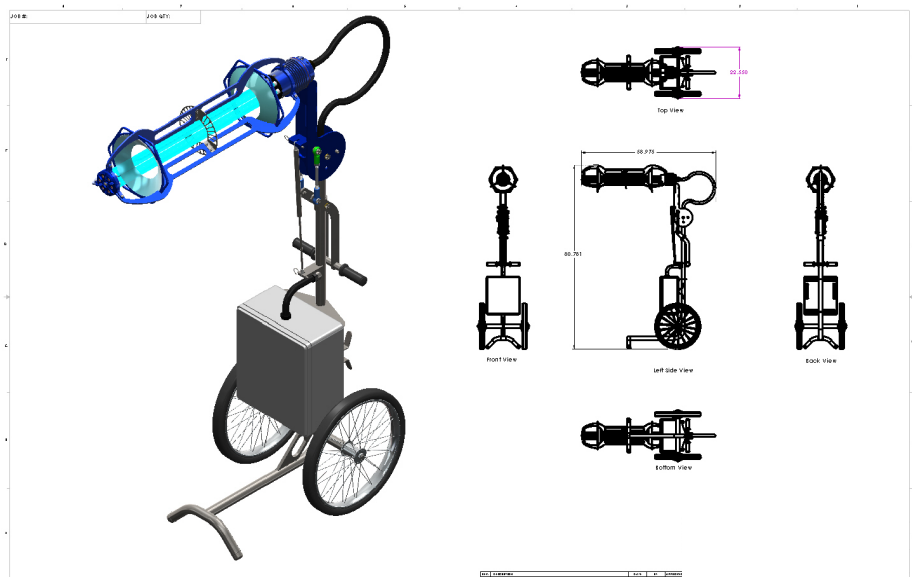
Electrical Specs per emitter:

- Input: 120V AC
- Power: 516W
- Amp Draw: 4.8A



Dimensions (1 emitter plus cart):

- Length: 34.5"
- Width: 23.5"
- Height with emitter in vertical position: 62"
- Height with emitter in horizontal position: 85"
- Weight (including emitter): 85 pounds



Delivery Cart:

- Operation: Balanced design for ease of movement and operation
- Fabricated stainless-steel plate and stainless-steel tubing on welded base
- Fabricated aluminum plate welded rotating emitter mount
- Stainless steel hardware
- 20" spoked flat-free wheels, with solid rubber treads
- Ball bearing axle promotes ease of movement
- Rotating Emitter Mount
 - Rod end linkage assemblies connecting base to rotating base to rotating head
 - Stainless-steel gas shock (50 lbs. pressure) provides weightless lift operation
 - T-Handle locking quick release with stainless steel pin for locking in up or down positions
 - Cart move and lift handle designed for operator safety and control
 - Two hand move and lift operation

User Interface:

- 4.3" Color Touchscreen HMI with integrated PLC includes:
- Multiple room/time settings
- Operator Alarm and indication if any lamps are out
- Sanitization complete notification
- Data logging for system usage
- External ON/OFF Selector Switch for main power
- Remote wireless ON/OFF control with indication for Disinfection in process/
Disinfection complete

Patent Protection

Bluemorph Health Solutions Products are covered by United States Patent Nos. **9,387,268; 9,682,161; 9,687,575; 10,046,013; 10,603,394; 9,044,521; 9,707,306.**

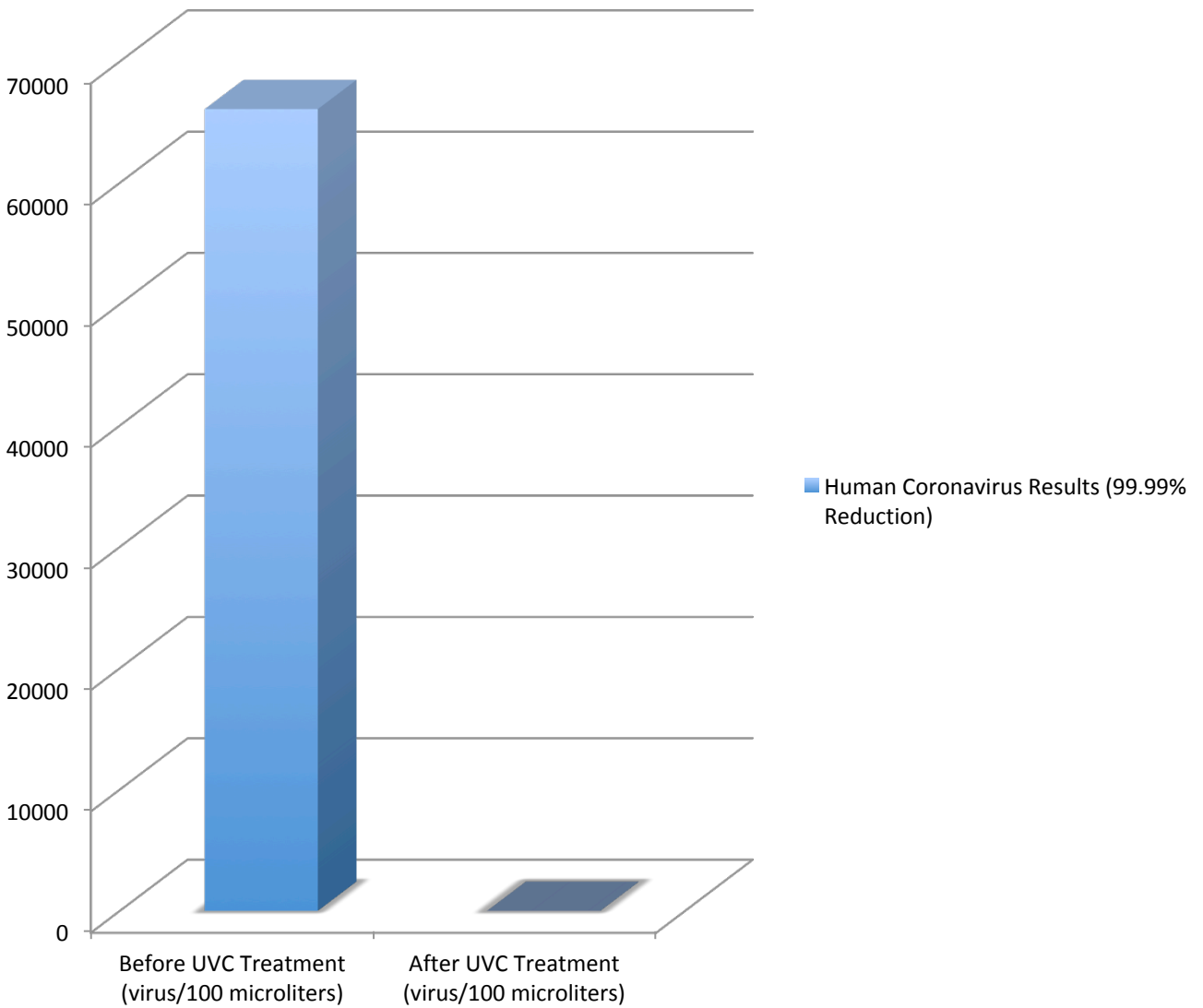
¹A single emitter unit is designed to disinfect a 450 sq. ft. room in 14-19 minutes (inclusive of warm-up time). The actual performance of the emitter is dependent on the presence of equipment and furniture within a room. Bluemorph Health Solutions, LLC makes no claims as to the disinfection efficacy of any unit in any specific enclosed space as factors such as shadowing, pre-operation cleaning and chemical protocols can all impact the performance of any UV light disinfection system.

BLUEMORPH HEALTH SOLUTIONS

Testing Data

Third party tested

Human Coronavirus Results (99.99% Reduction)



BLUEMORPH HEALTH SOLUTIONS

Testing Data

Third party tested

Transit Vehicle Bio-Burden Before and After Results

